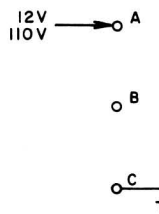
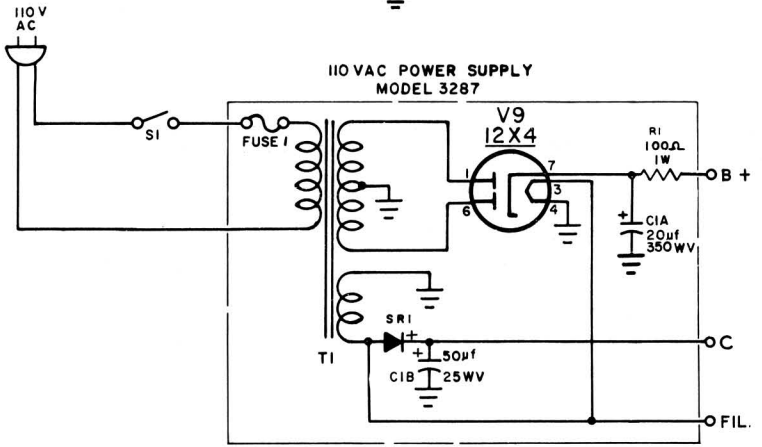
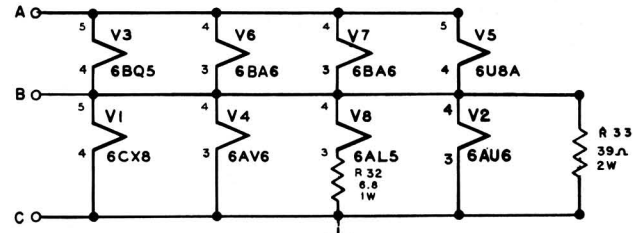
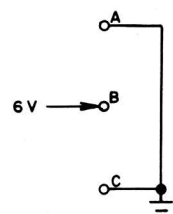


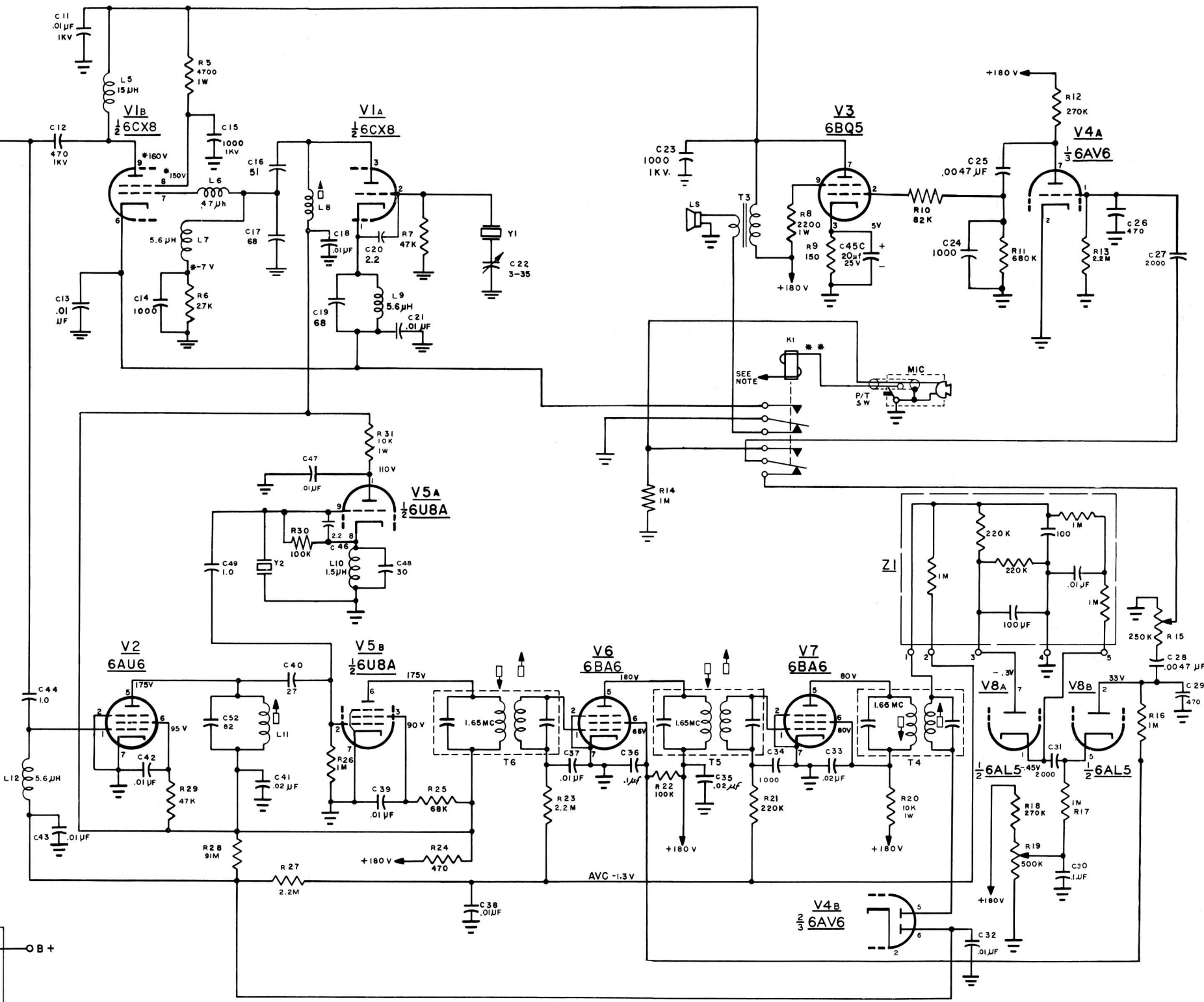
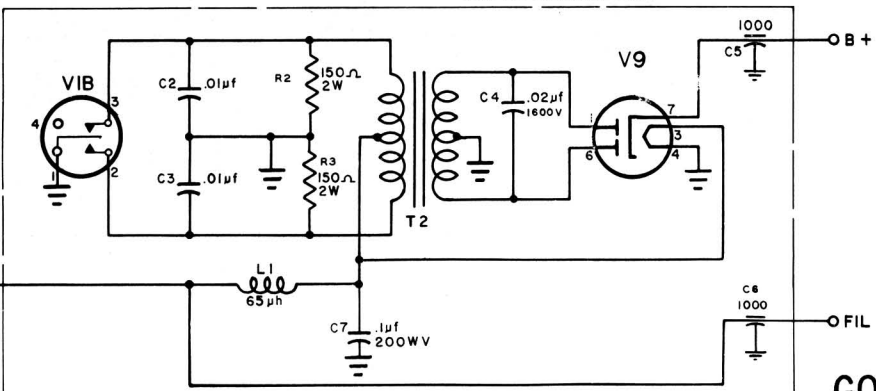
12 VOLT FILAMENT - MODEL # 3304
110 VOLT FILAMENT - MODEL # 3303



6 VOLT FILAMENT - MODEL # 3305



VIBRATOR POWER SUPPLIES
6V. DC. MODEL # 3291
12V. DC. MODEL # 3286



POWER SUPPLY	VIB	T2	V9	FUSE
6V # 3291	1601	271-026	6X4	3/8 AMP
12V # 3286	G1601	271-022	12X4	5/8 AMP

1. RELAY SOLENOID CONNECTS TO PIN 5 OF V3, FOR D.C. OPERATION. TO TERMINAL C OF MODEL 3287 POWER SUPPLY FOR A.C. OPERATION.
2. CAPACITOR VALUES IN MICRO-MICROFARADS, RESISTORS, 1/2 WATT, 10% TOLERANCE COMPOSITION EXCEPT WHERE OTHERWISE SPECIFIED.
3. * THESE VOLTAGES MEASURED WITH UNIT ON 'TRANSMIT'
4. ** K1, 12 VOLT D.P.D.T. RELAY FOR 12V. AND 110 VOLTS. - MODEL 3303 & 3304. KI-6 VOLT D.P.D.T. RELAY FOR 6V. MODEL 3305.

GONSET MODEL G-11 (3286, 3287, 3291, 3303, 3304, 3305)