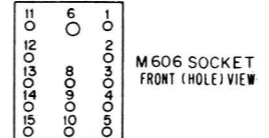
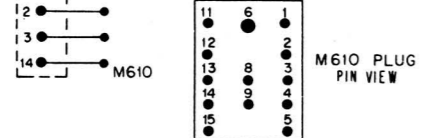
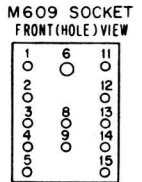
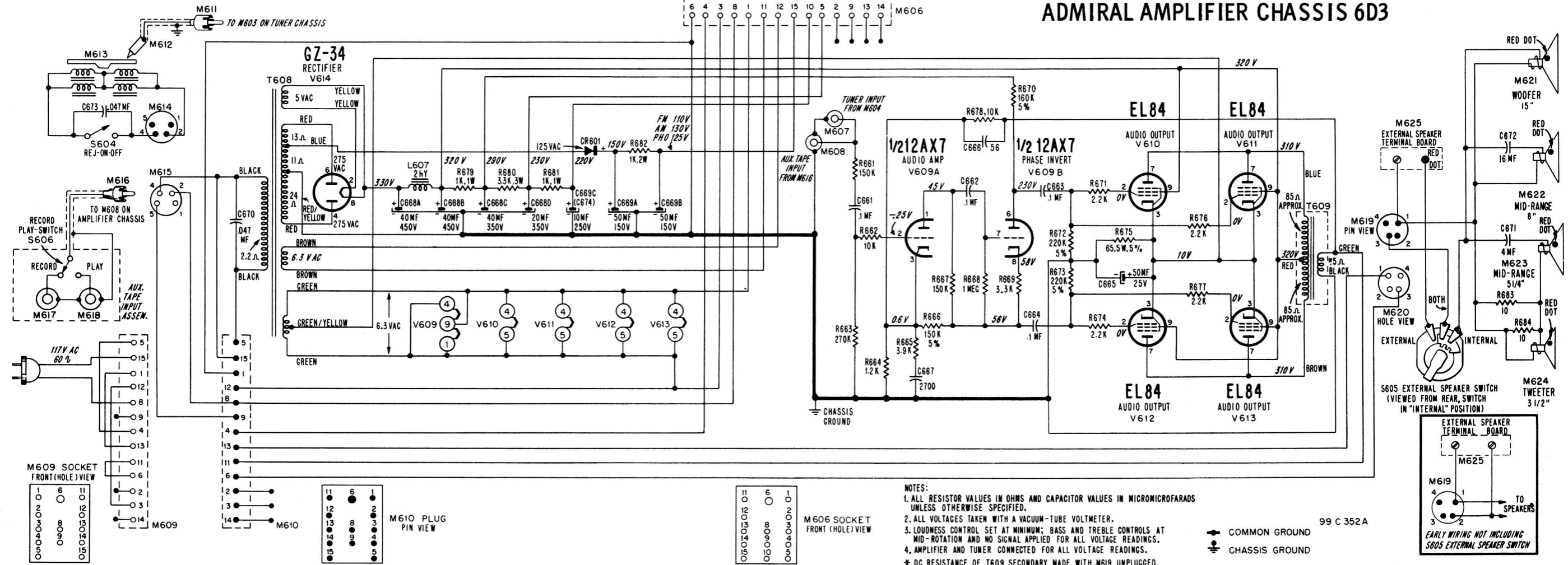
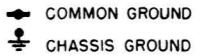


# ADMIRAL AMPLIFIER CHASSIS 6D3



- NOTES:**
1. ALL RESISTOR VALUES IN OHMS AND CAPACITOR VALUES IN MICROMICROFARADS UNLESS OTHERWISE SPECIFIED.
  2. ALL VOLTAGES TAKEN WITH A VACUUM-TUBE VOLTMETER.
  3. LOUDNESS CONTROL SET AT MINIMUM; BASS AND TREBLE CONTROLS AT MID-ROTATION AND NO SIGNAL APPLIED FOR ALL VOLTAGE READINGS.
  4. AMPLIFIER AND TUNER CONNECTED FOR ALL VOLTAGE READINGS.
- \* DC RESISTANCE OF T609 SECONDARY MADE WITH M619 UNPLUGGED.



99 C 352 A

