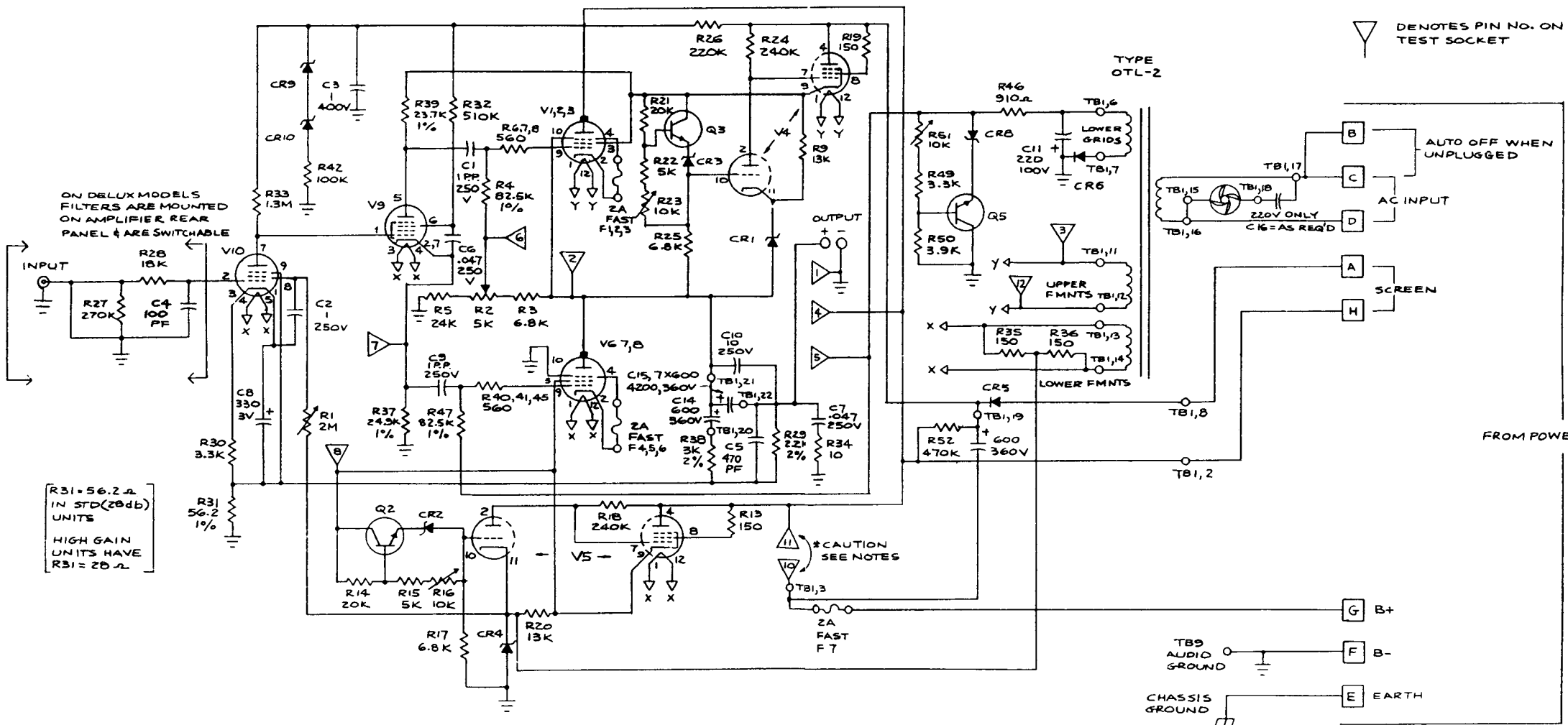


□ POWER CONNECTOR
 ▽ DENOTES PIN NO. ON TEST SOCKET

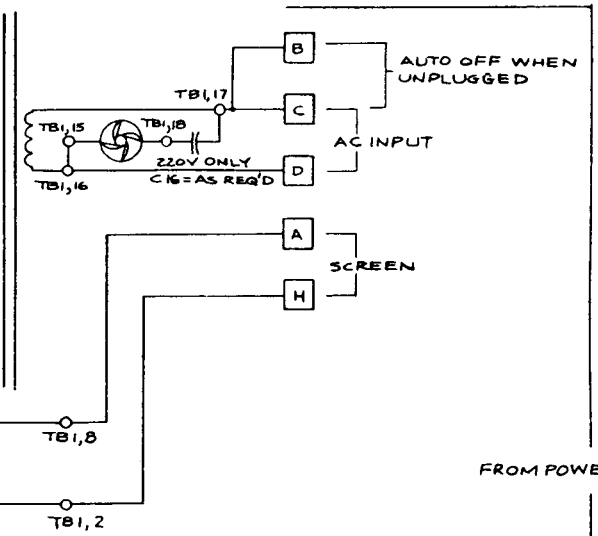
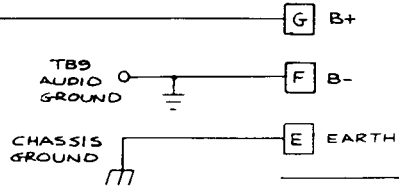


ON DELUX MODELS
 FILTERS ARE MOUNTED
 ON AMPLIFIER REAR
 PANEL & ARE SWITCHABLE

R31 = 56.2Ω
 IN STD (20db)
 UNITS
 HIGH GAIN
 UNITS HAVE
 R31 = 20Ω

- NOTES
- V1,2,3,6,7,8 = MATCHED SET 6L6G
 - V4,5 = 6L6B/6MY8
 - V9 = 6FS5
 - V10 = 6EU7
 - ALL Q = TIP 50/ECG 198
 - CR2 & CR3 = 30V ZENER 5W, 5%
 - CR1 & CR4 = 70V ZENER 5W, 5%
 - CR8 = 20V ZENER 5W, 5%
 - CR9 = 170V ZENER 5W, 5%
 - CR10 = 180V ZENER 5W, 5%
 - OTHER CR = IN4007
 - ALL CAPACITORS IN UF UNLESS OTHERWISE NOTED
 - P.P. IS POLYPROPYLENE
 - *DO NOT OPERATE AMPLIFIER WITHOUT TEST POINTS 10 AND 11 JUMPED.

FROM POWER SUPPLY



AUTO OFF WHEN
 UNPLUGGED

AC INPUT

SCREEN

G B+

F B-

E EARTH

TB9
 AUDIO
 GROUND

CHASSIS
 GROUND