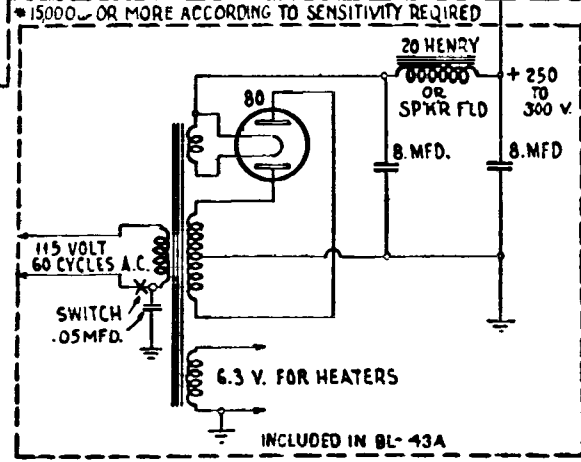
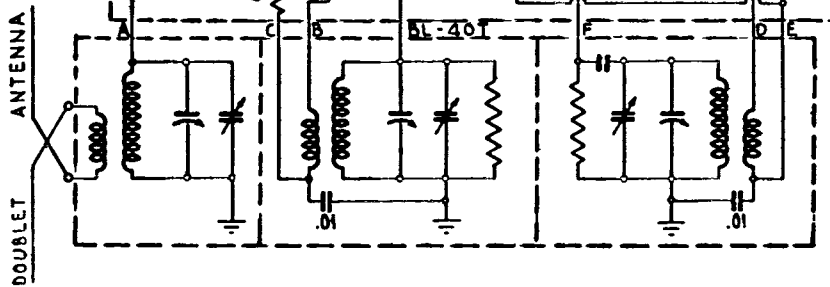
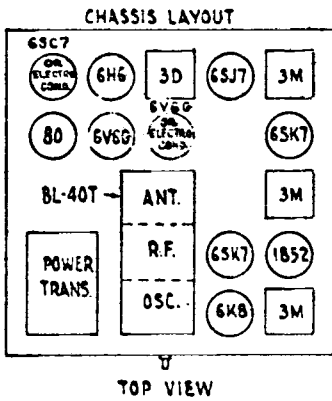
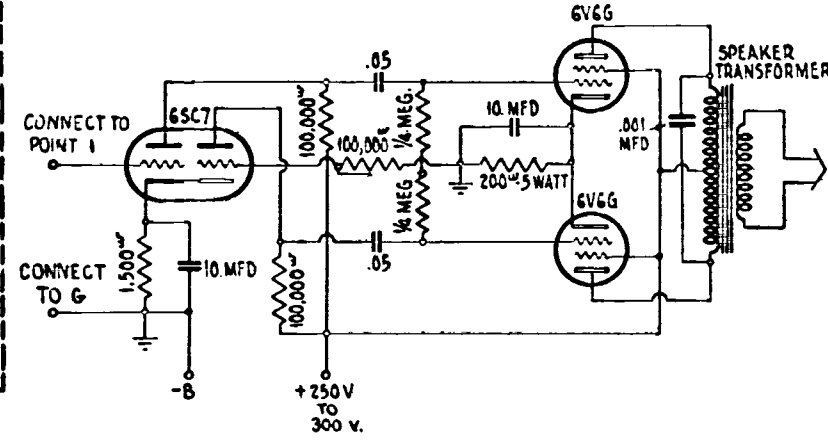


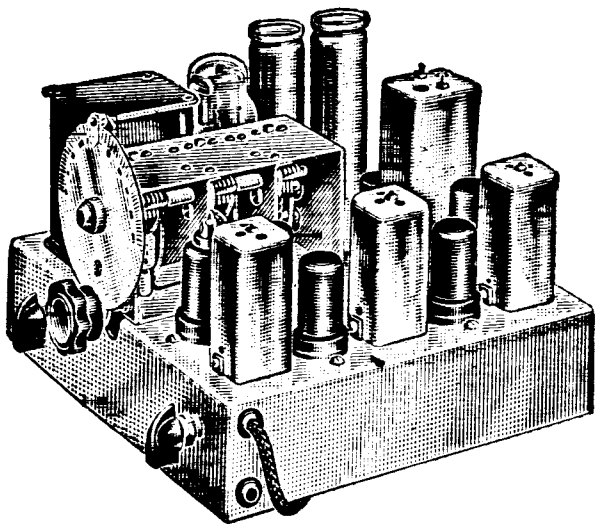
COMPONENTS IN THIS DOTTED LINE INCLUDED IN THE 3.MC I.F. AMPLIFIER TYPE BL-3000A



DEGENERATIVE PHASE INVERSION PUSH PULL AUDIO AMPLIFIER



BROWNING F-M KIT



The Browning Laboratories, Winchester, Mass., have announced various component parts for receiving Major Armstrong's wide band frequency modulation method of static-free transmission. Special broadband 3-mc i-f and detection transformers are available as well as a special high-frequency tuner. A completely wired and aligned adapter is in production which may be plugged into the phonograph jack of any receiver.