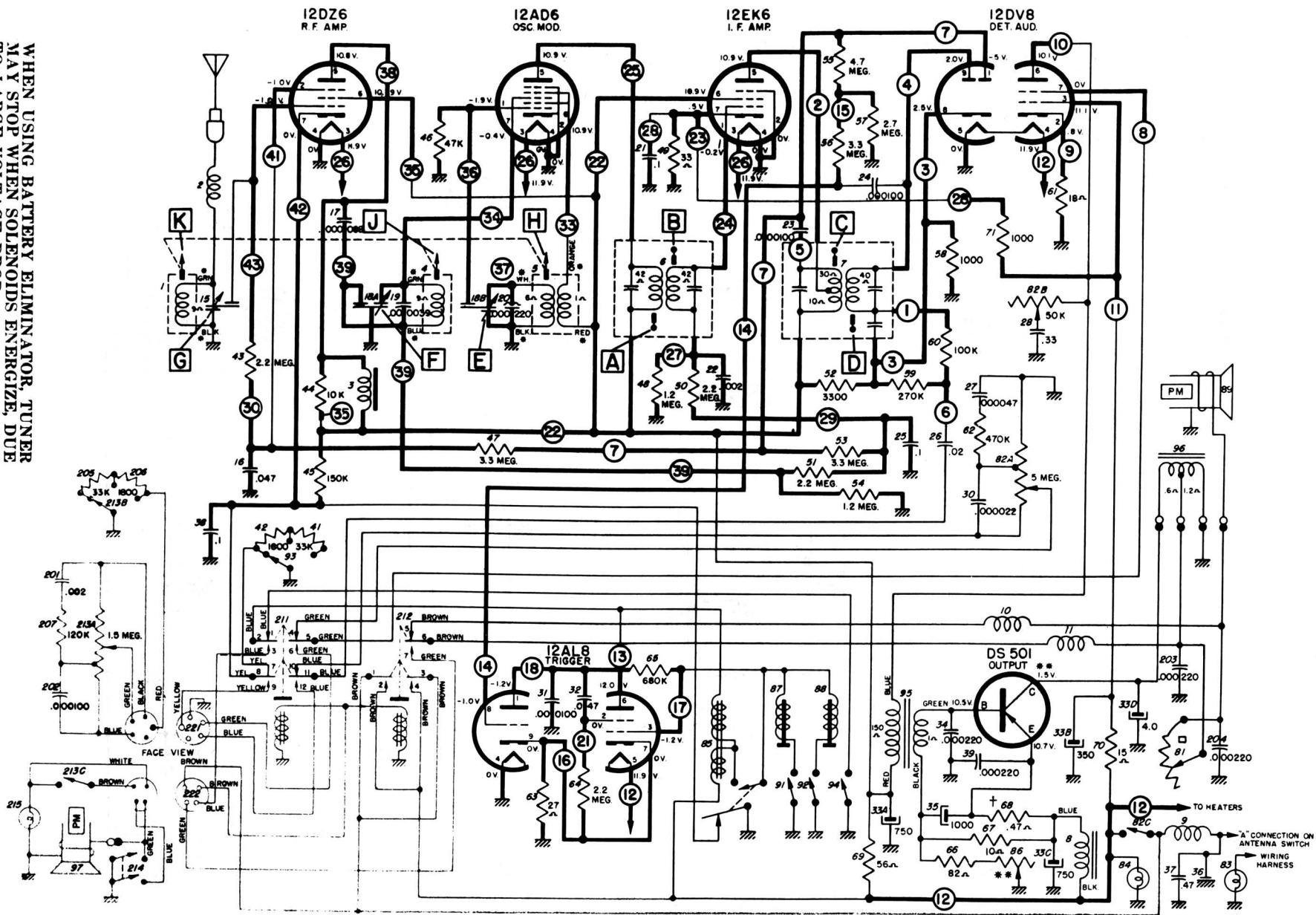


WHEN USING BATTERY ELIMINATOR, TUNER
MAY STOP WHEN SOLENOIDS ENERGIZE, DUE
TO LARGE VOLTAGE DROP.



CADILLAC MODEL 7272525

Schematic Diagram Courtesy of Delco Radio Div., General Motors Corp.