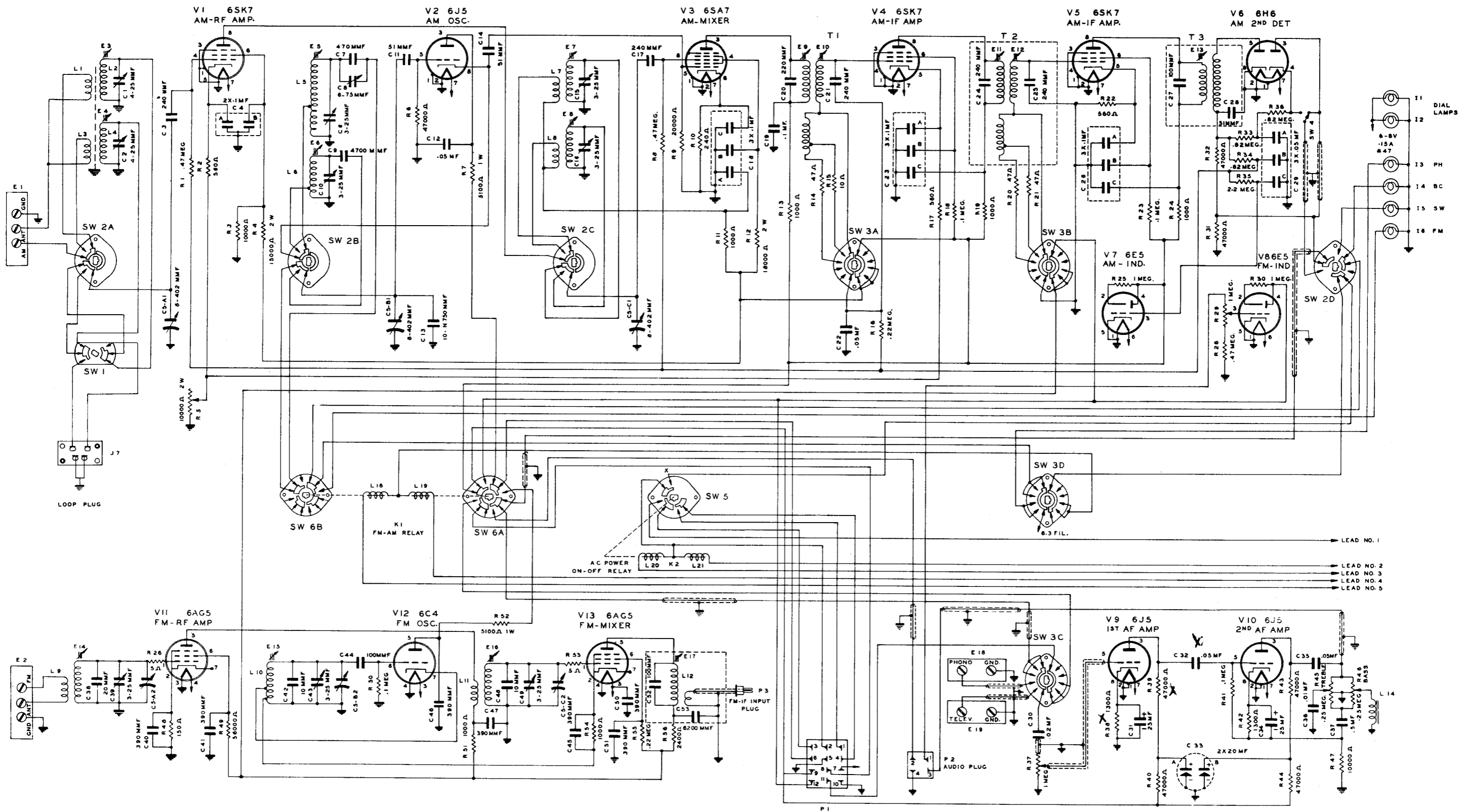


MODEL 800 B RECEIVER CHASSIS
 FEBRUARY 1, 1946
 SCOTT RADIO LABORATORIES INC.
 CHICAGO 40 ILLINOIS

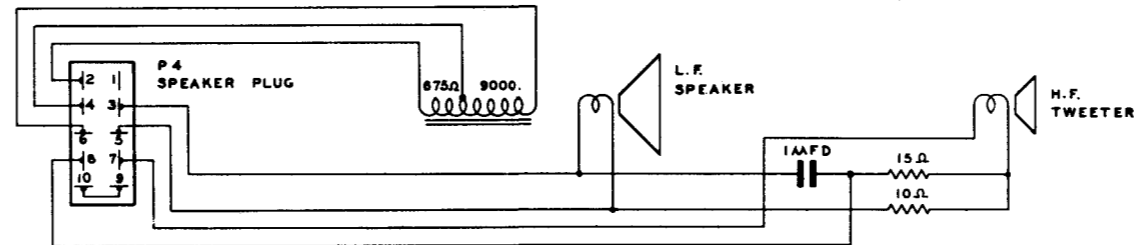
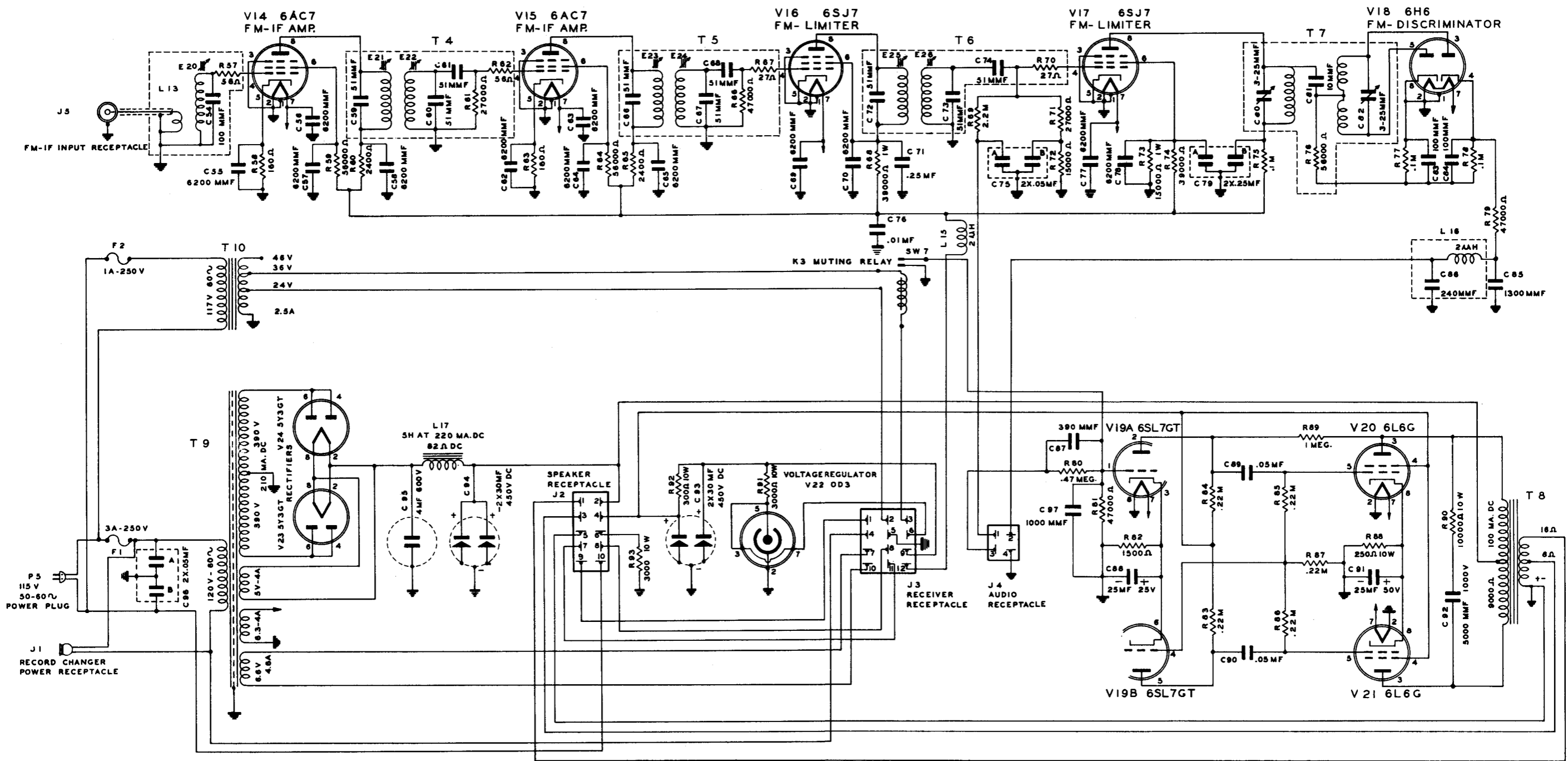
Figure 25 Schematic Diagram Model 800-B Receiver Chassis



Change R39 to 100K
 C32 to .006
 R38 to 470
 For Resistor Pickups

REVISED MODEL 800B RECEIVER CHASSIS
 JUNE 25, 1946
 SCOTT RADIO LABORATORIES INC.
 CHICAGO 40 ILLINOIS

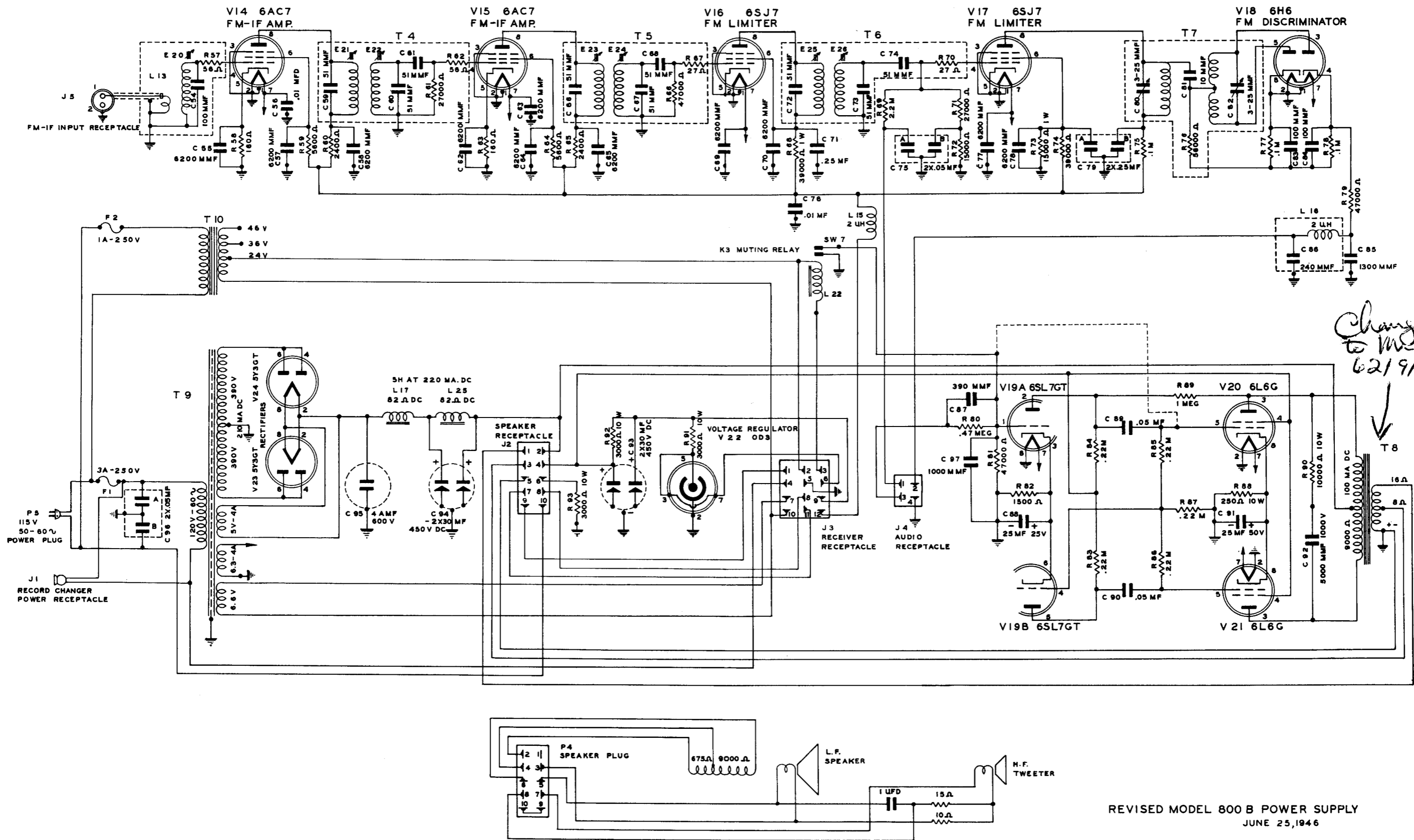
Figure 26 Revised Schematic Diagram Model 800-B Receiver Chassis



MODEL 800B POWER SUPPLY
FEBRUARY 1, 1948

SCOTT RADIO LABORATORIES INC.
CHICAGO 40 ILLINOIS

Figure 27 Schematic Diagram Model 800-B Power Supply



REVISED MODEL 800 B POWER SUPPLY
JUNE 25, 1946

SCOTT RADIO LABORATORIES INC.
CHICAGO 40 ILLINOIS

Figure 28 Revised Schematic Diagram Model 800-B Power Supply

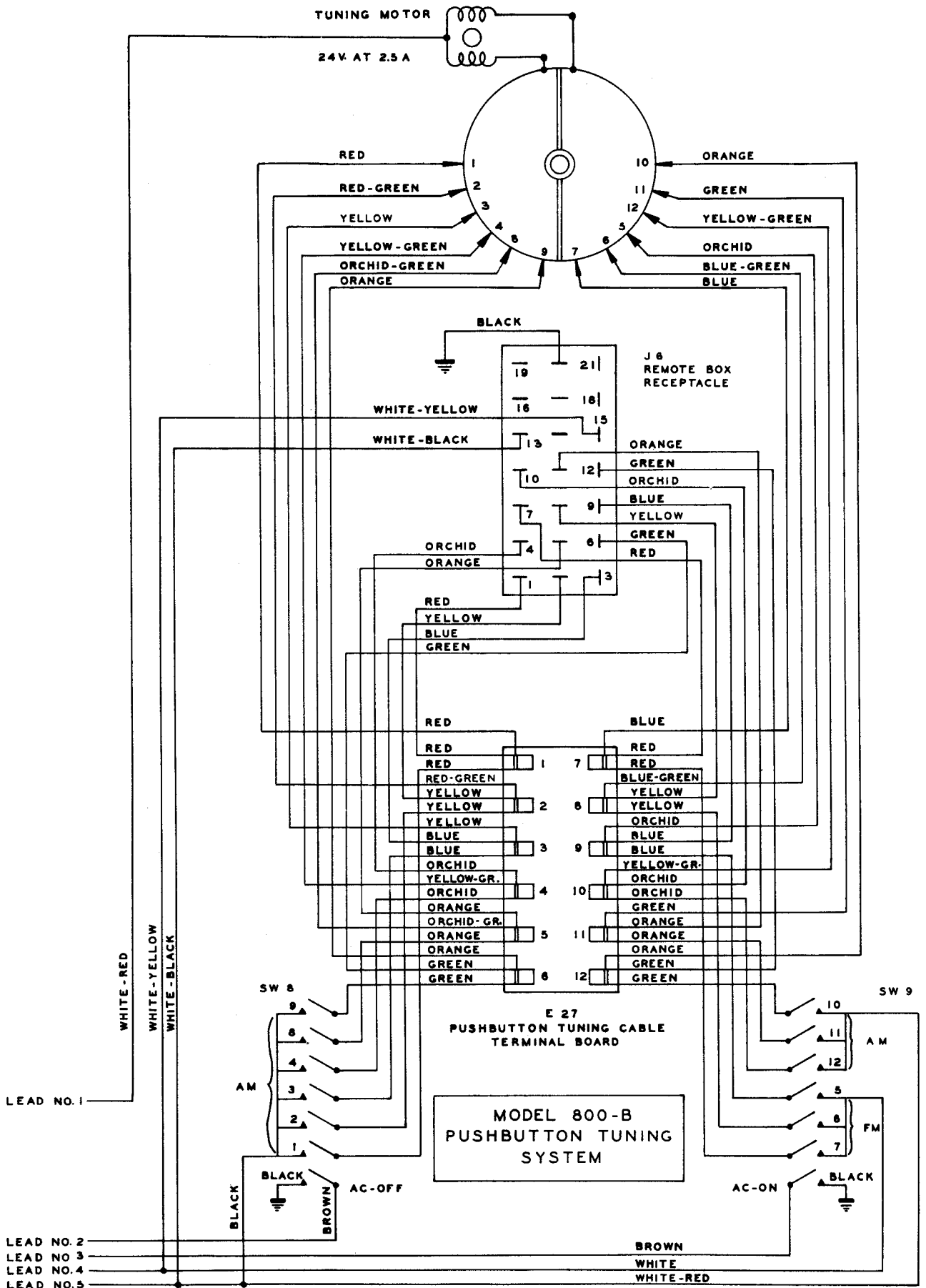


Figure 29 Schematic Diagram Pushbutton Tuning System

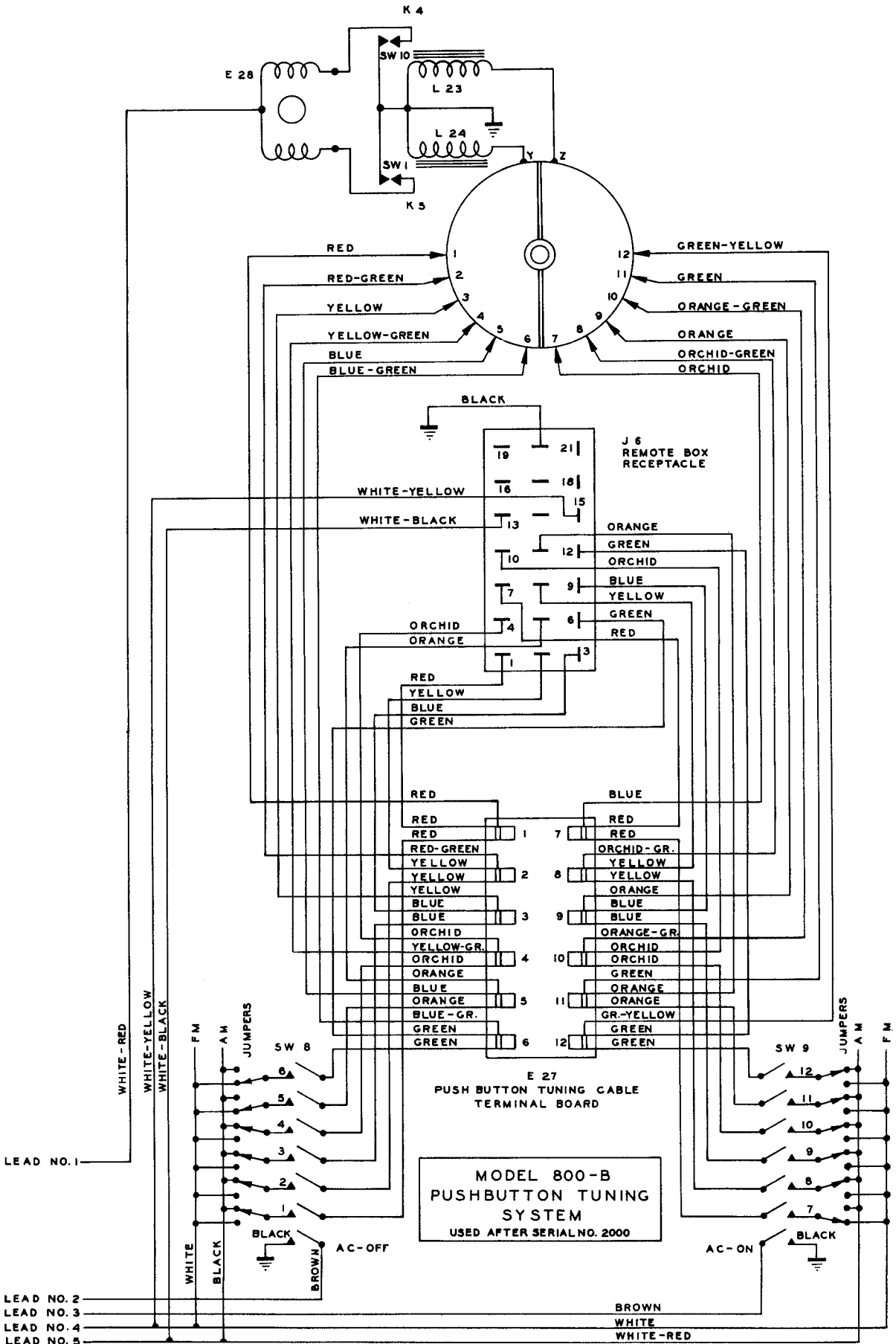


Figure 30 Revised Schematic Diagram Pushbutton Tuning System -83-