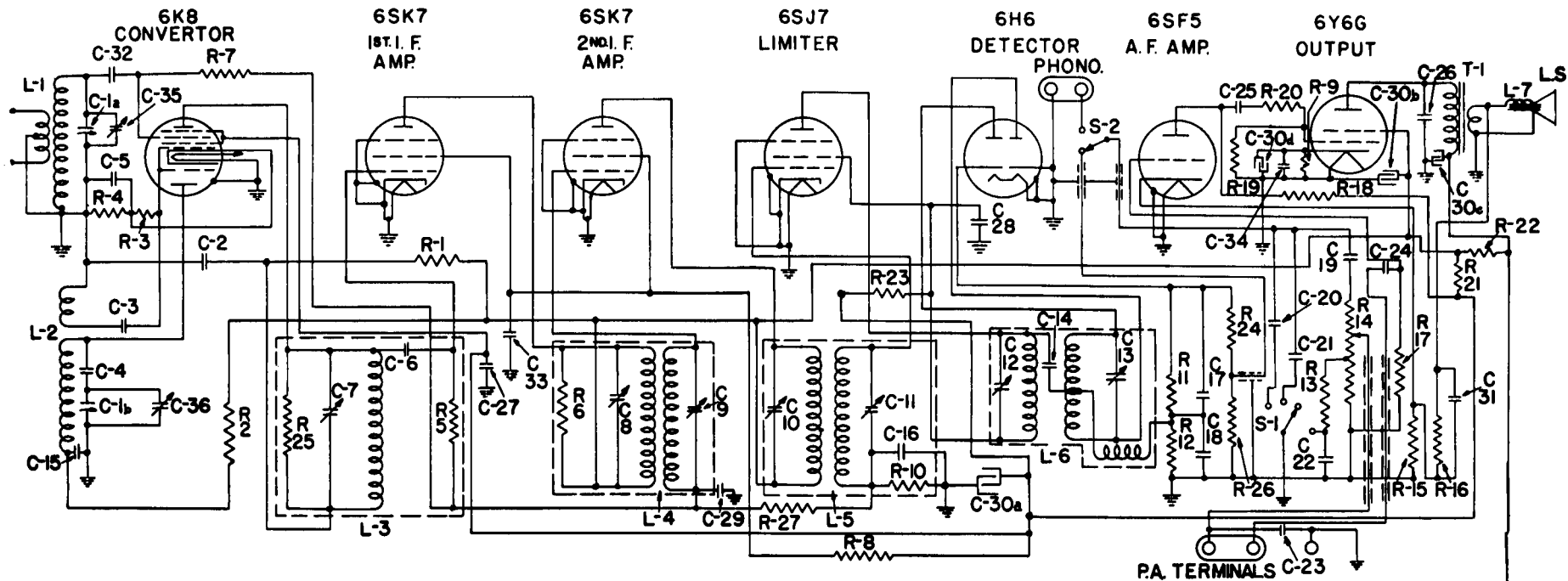


• G.E. MODEL HM-80 FREQUENCY MODULATION RECEIVER •



Symbol	Description	Symbol	Description	Symbol	Description
C-1	20 mfd. tuning condenser	C-30b	20 mfd. 250 V. dry electrolytic	R-15	82 ohms 1/2 W. carbon
C-2	.02 mfd. 400 V. paper	C-30c	40 mfd. 250 V. dry electrolytic	R-16	220 ohms 1/2 W. carbon
C-3	47 mfd. mica	C-30d	20 mfd. 25 V. dry electrolytic	R-17	15 megohms 1/2 W. carbon
C-4	1200 mfd. mica	C-31	0.1 mfd. 200 V. paper	R-18	220 000 ohms 1/2 W. carbon
C-5	.05 mfd. 200 V. paper	C-32	470 mfd. mica	R-19	470 000 ohms 1/2 W. carbon
C-6	500 mfd. trimmer	C-33	0.1 mfd. 400 V. paper	R-20	1500 ohms 1/2 W. carbon
C-14	47 mfd. mica	C-34	.05 mfd. 200 V. paper	R-21	2200 ohms 1/2 W. carbon
C-15	470 mfd. mica	C-35	2-15 mfd. antenna trimmer	R-22	1600 ohms 3-1/2 W. wire wound
C-16	22 mfd. mica	C-36	7-85 mfd. air trimmer	R-23	2200 ohms 1/2 W. carbon
C-17	100 mfd. mica	R-1	2200 ohms 1/2 W. carbon	R-24	100 000 ohms 1/2 W. carbon
C-18	100 mfd. mica	R-2	6900 ohms 1/2 W. carbon	R-25	33 000 ohms 1/2 W. carbon
C-19	.005 mfd. 70 V. paper	R-3	47000 ohms 1/2 W. carbon	R-26	220 000 ohms 1/2 W. carbon
C-20	.002 mfd. 600 V. paper	R-4	330 ohms 1/2 W. carbon	R-27	2.2 megohms 1/2 W. carbon
C-21	470 mfd. mica	R-5	470 000 ohms 1/2 W. carbon	S-1	tune switch
C-22	.002 mfd. 600 V. paper	R-6	47 000 ohms 1/2 W. carbon	S-2	phono switch
C-23	220 mfd. mica	R-7	470 000 ohms 1/2 W. carbon	S-3	power switch - on S-2
C-24	.005 mfd. 400 V. paper	R-8	4 700 ohms 1/2 W. carbon	L-1	antenna transformer
C-25	.05 mfd. 400 V. paper	R-9	220 ohms 2 W. carbon	L-2	oscillator transformer
C-26	.005 mfd. 600 V. paper	R-10	330 000 ohms 1/2 W. carbon	L-3	1st IF transformer
C-27	.005 mfd. 400 V. paper	R-11	100 000 ohms 1/2 W. carbon	L-4	2nd IF transformer
C-28	.05 mfd. 400 V. paper	R-12	100 000 ohms 1/2 W. carbon	L-5	1F limiter
C-29	.05 mfd. 200 V. paper	R-13	120 000 ohms 1/2 W. carbon	L-6	1st limiter transformer
C-30a	20 mfd. 250 V. Dry electrolytic	R-14	2 megohms volume control		

