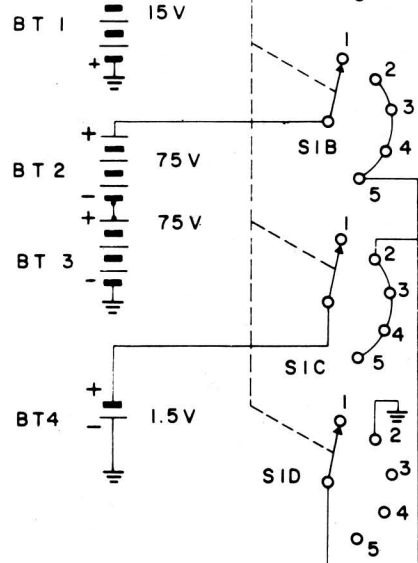


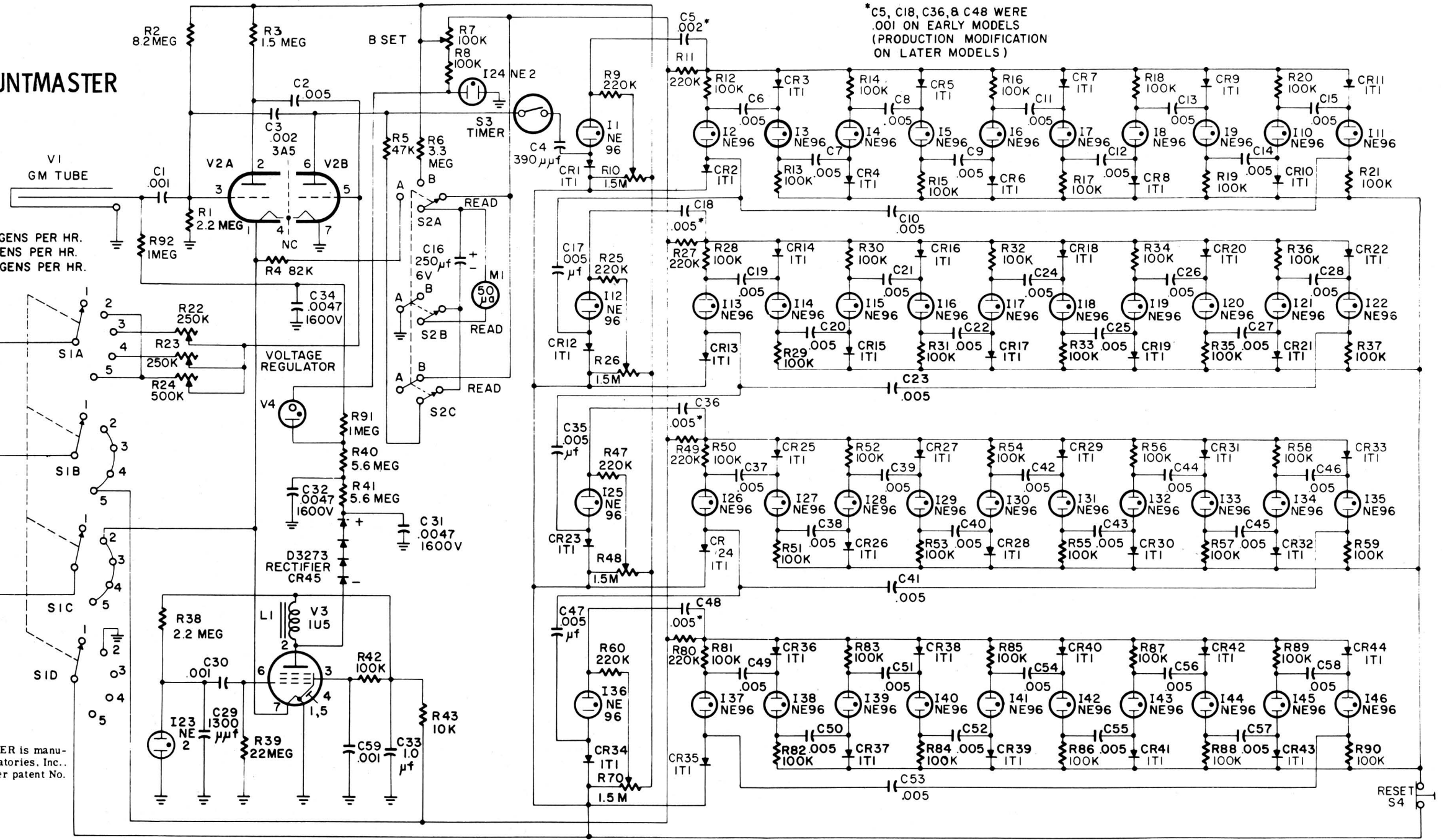
# HOFFMAN COUNTMASTER MODEL 216-1

## SI POSITIONS

1. OFF
2. SCALER
3. 0-20 MILLIROENTGENS PER HR.
4. 0-2 MILLIROENTGENS PER HR.
5. 0-.2 MILLIROENTGENS PER HR.

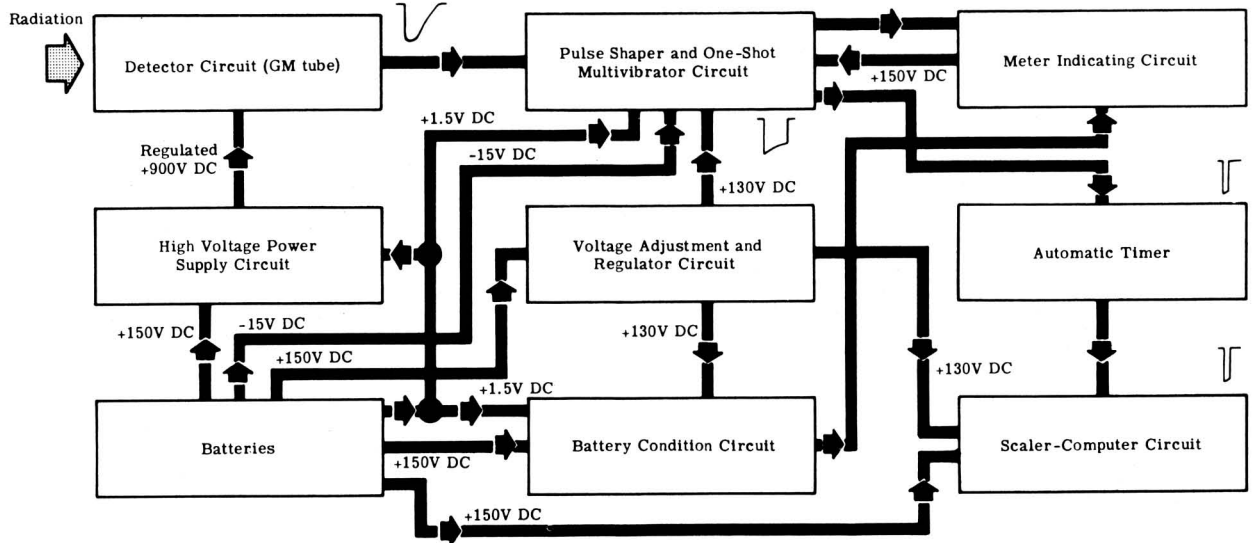


The Hoffman COUNTMASTER is manufactured by Hoffman Laboratories, Inc., as exclusive licensee under patent No. 2,646,534.

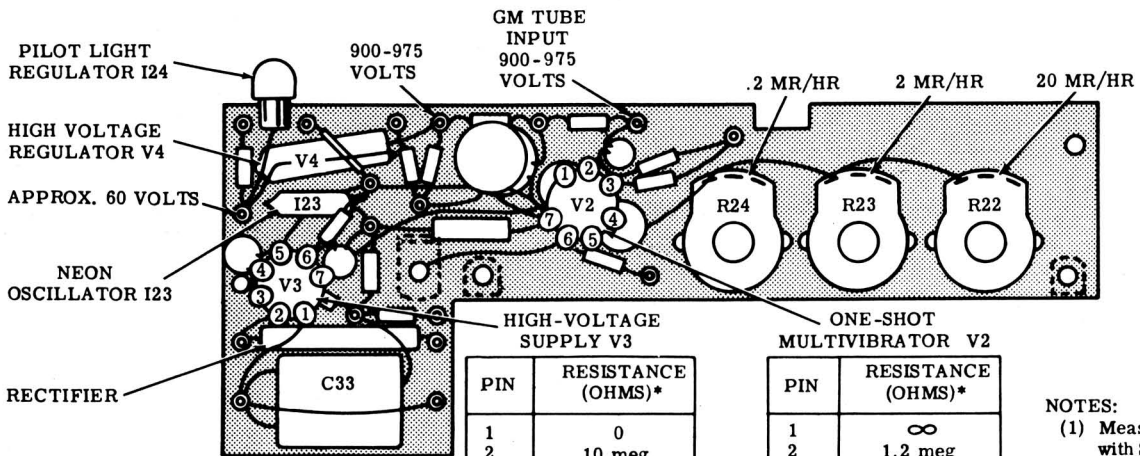


\*C5, C18, C36, & C48 WERE .001 ON EARLY MODELS (PRODUCTION MODIFICATION ON LATER MODELS)

RESET S4



Countmaster Block Diagram



CAUTION:  
Make resistance measurements with MR/HR switch in OFF position.

HIGH-VOLTAGE SUPPLY V3	
PIN	RESISTANCE (OHMS)*
1	0
2	10 meg
3	10 meg
4	∞
5	0
6	22 meg
7	∞

ONE-SHOT MULTIVIBRATOR V2	
PIN	RESISTANCE (OHMS)*
1	∞
2	1.2 meg
3	2.2 meg
4	∞
5	∞
6	10 meg
7	0

- NOTES:  
(1) Measurements made with Simpson 260 meter.  
(2) Read switch in the READ position.

\*Measure from tube side of socket to chassis ground -- with tube removed.

Voltage and Resistance Measurements

Tube and Neon Bulb Complement

Quantity	Type	Function
1	CK1021 or 6530	Geiger-Mueller Tube
1	CK1038 or 5841	High Voltage Regulator
1	3A5	One-Shot Multivibrator
1	1U5	High Voltage Supply
1	D-3273	High Voltage Regulator

Quantity	Type	Function
1	NE2 Neon Bulb	High Voltage Supply Oscillator (Relaxation Oscillator)
1	NE2A Neon Bulb	Pilot Lamp and Voltage Regulator
40	*NE96 Neon Bulb	Scaler-Computer Indicators
4	*NE96 Neon Bulb	Decade Trigger Bulbs

HOFFMAN COUNTMASTER  
MODEL 216-1