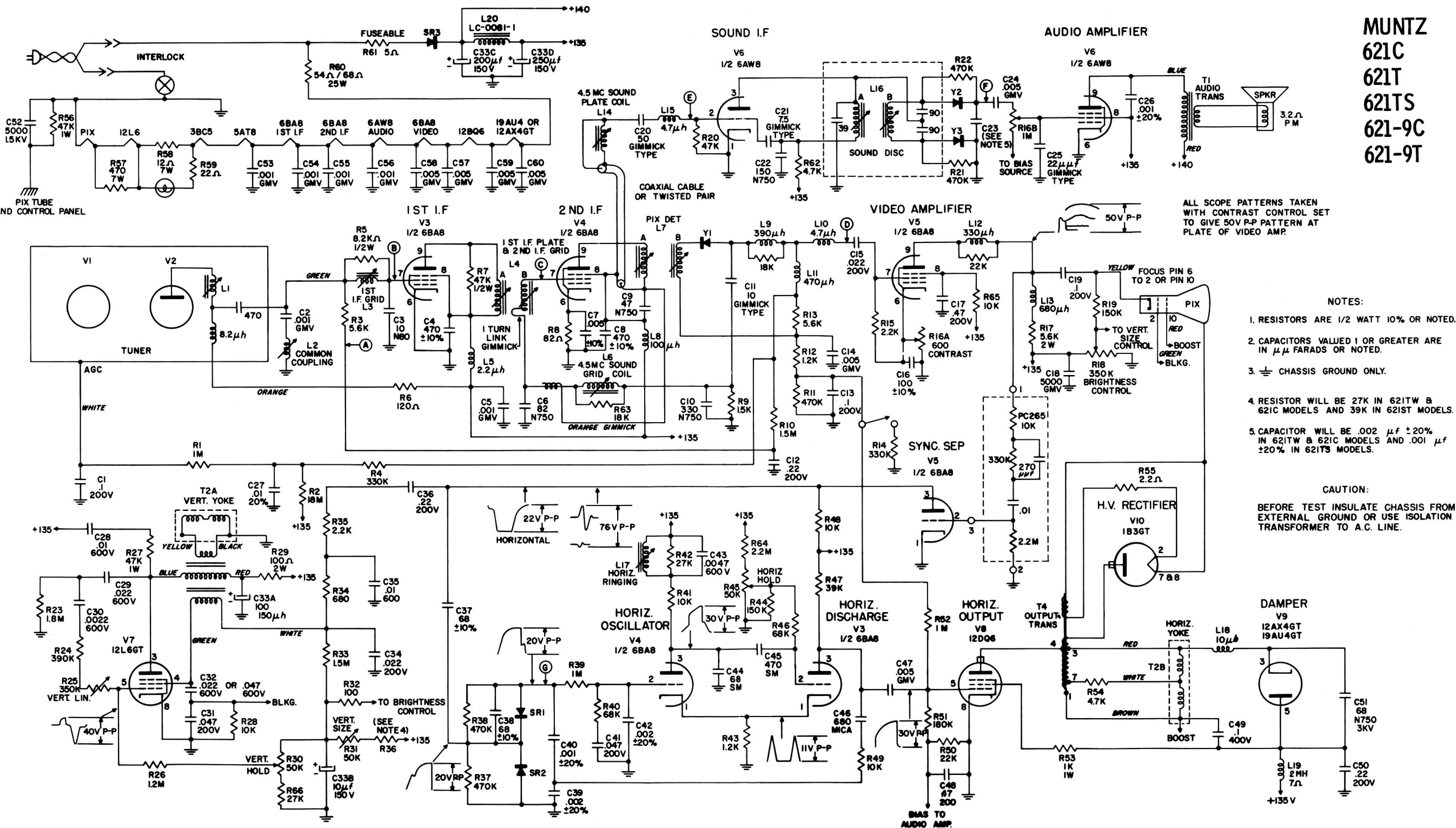


**MUNTZ**  
**621C**  
**621T**  
**621TS**  
**621-9C**  
**621-9T**



ALL SCOPE PATTERNS TAKEN WITH CONTRAST CONTROL SET TO GIVE 50V P-P PATTERN AT PLATE OF VIDEO AMP.

- NOTES:
1. RESISTORS ARE 1/2 WATT 10% OR NOTED.
  2. CAPACITORS VALUED 1 OR GREATER ARE IN  $\mu\mu$  FARADS OR NOTED.
  3.  $\perp$  CHASSIS GROUND ONLY.
  4. RESISTOR WILL BE 27K IN 621TW & 621C MODELS AND 39K IN 621ST MODELS.
  5. CAPACITOR WILL BE .002  $\mu\mu$   $\pm 20\%$  IN 621TW & 621C MODELS AND .001  $\mu\mu$   $\pm 20\%$  IN 621TS MODELS.

CAUTION:  
 BEFORE TEST INSULATE CHASSIS FROM EXTERNAL GROUND OR USE ISOLATION TRANSFORMER TO A.C. LINE.