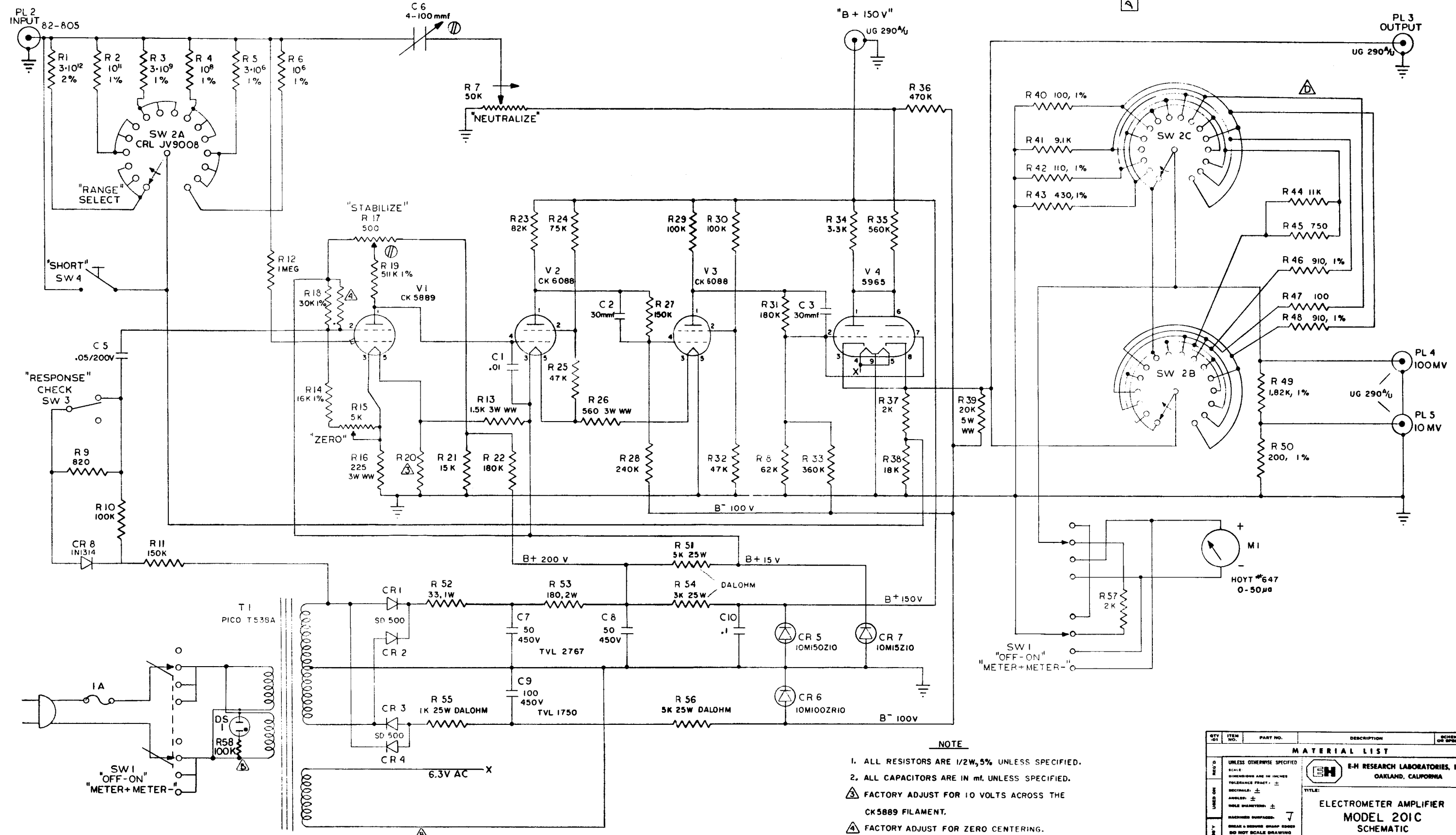


REVISIONS

REV	REVISION	DATE	BY	CHKD	APPRD	E.O.
A	REVISED	8/60	DLT			
B	DEL. L1 & ADD DS1, R58	8/60	DLT			
D	SWITCH CHG. 2C	1/62	DLT			

PROPRIETARY INFORMATION
E-H RESEARCH LABORATORIES, INC.
NO INFORMATION GIVEN HEREIN MAY BE
DISSEMINATED TO ANY PERSON OR COMPANY
WITHOUT THE EXPRESS PERMISSION OF
E-H RESEARCH LABORATORIES, INC.

D-10237 D



- NOTE**
1. ALL RESISTORS ARE 1/2W, 5% UNLESS SPECIFIED.
 2. ALL CAPACITORS ARE IN mF, UNLESS SPECIFIED.
 3. FACTORY ADJUST FOR 10 VOLTS ACROSS THE CK5889 FILAMENT.
 4. FACTORY ADJUST FOR ZERO CENTERING.

QTY	ITEM NO.	PART NO.	DESCRIPTION	SCHEMATIC OR SPEC. REF.
MATERIAL LIST				
UNLESS OTHERWISE SPECIFIED				
SCALE: DIMENSIONS ARE IN INCHES				
TOLERANCE: FRACTION ±				
ANGLES: ±				
HOLE DIA: ±				
HOLE DRIVEN: ±				
MACHINED SURFACES: 7				
BREAK & REMOVE SHARP EDGES				
DO NOT SCALE DRAWING				
FINISH:				
E-H RESEARCH LABORATORIES, INC. OAKLAND, CALIFORNIA				
ELECTROMETER AMPLIFIER MODEL 201C SCHEMATIC				
DRAWN	DATE	REV. NO.	REV. DATE	REV. BY
DLT	8/60	D	D-10237	D.
CHK'D				
APP'D	1/62			