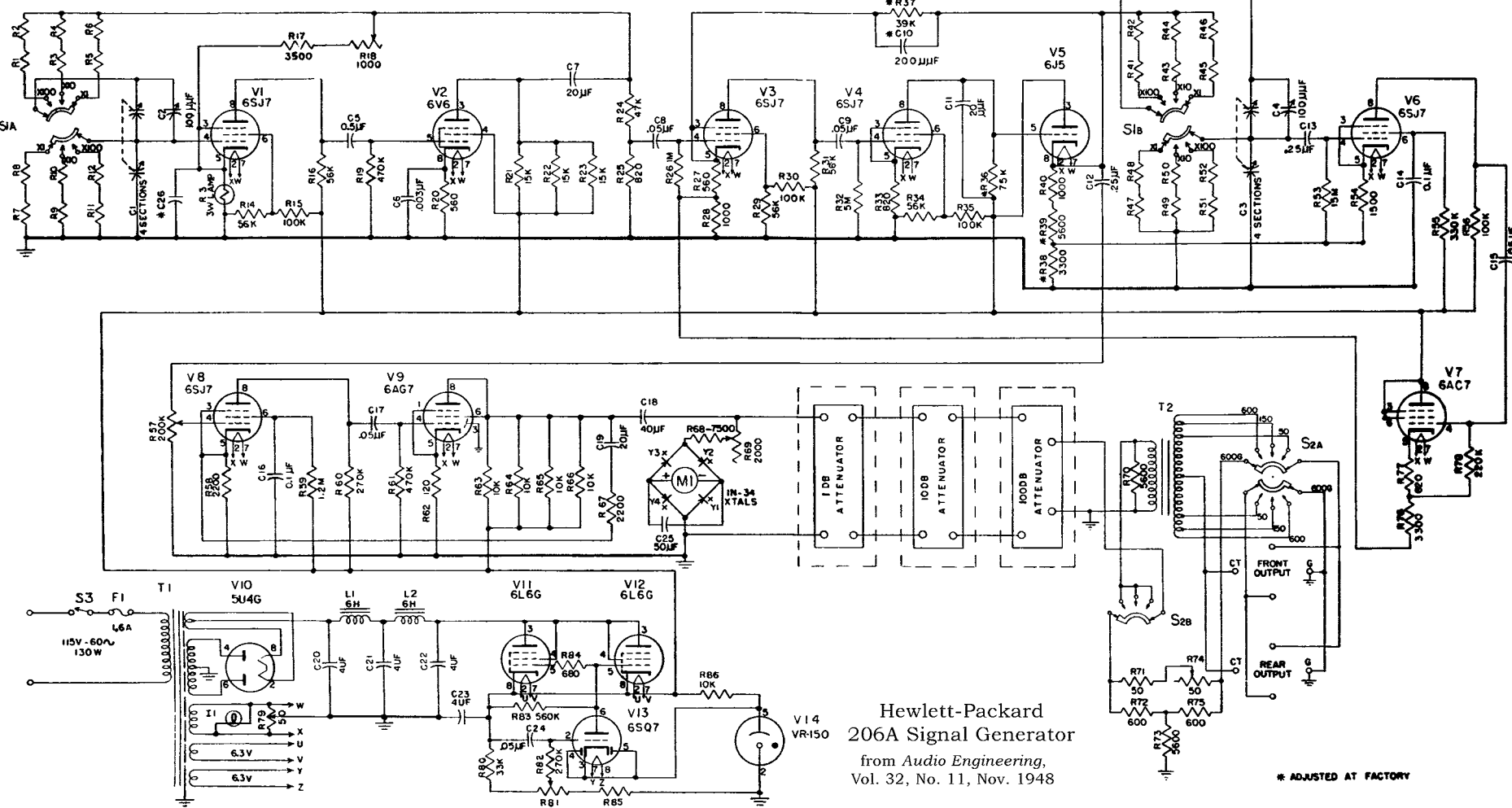


- R1 + R2 = 84.6K ± 5%
- R3 + R4 = 850K ± 5%
- R5 + R6 = 8.50M ± 5%
- R7 + R8 = 8.50M ± 5%
- R9 + R10 = 850K ± 5%
- R11 + R12 = 84.6K ± 5%
- C1 530 μF / SECTION
- C2 530 μF / SECTION
- C1, C2 ARE GANGED
- S1A, S1B
- S2A, S2B

- R41 + R42 = 84.6K ± 5%
- R43 + R44 = 850K ± 5%
- R45 + R46 = 8.50M ± 5%
- R47 + R48 = 8.50M ± 5%
- R49 + R50 = 850K ± 5%
- R51 + R52 = 84.6K ± 5%



Hewlett-Packard
206A Signal Generator
from *Audio Engineering*,
Vol. 32, No. 11, Nov. 1948

* ADJUSTED AT FACTORY