

COMPLETE CIRCUIT OF TYPE 145 AUDIO OSCILLATOR

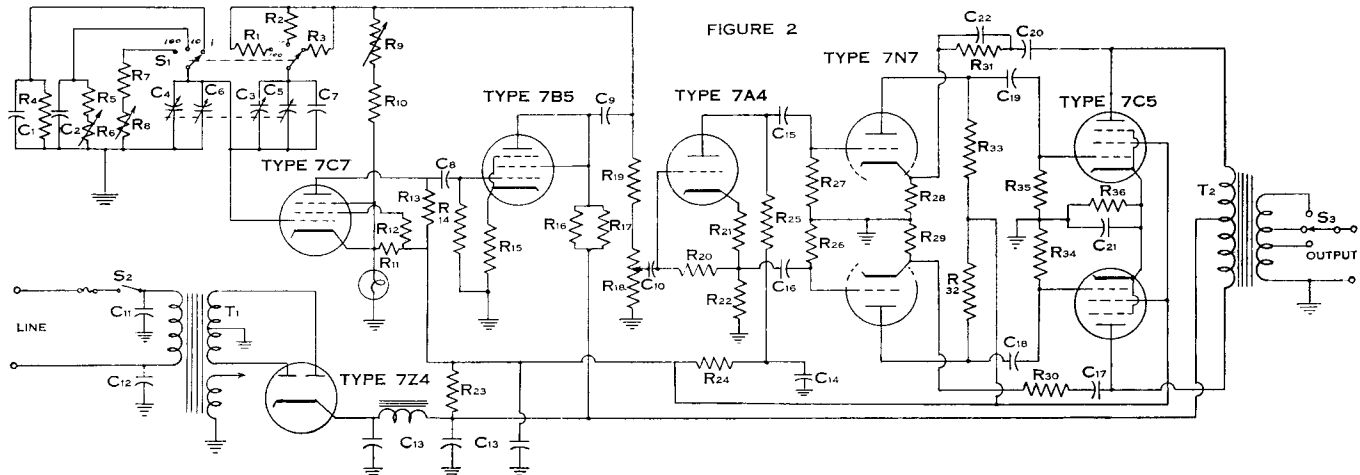


FIGURE 2

CONDENSER	TYPE	VOLTAGE	CAPACITY	RESISTOR	TYPE	OHMS	WATTS
C1	Variable	Mica	2-15 mmf	R12	Carbon	0.1 Meg.	2
C2	Same as C1		2-15 mmf	R13	Carbon	47,000	1
C3	Variable	Air	603 mmf per section	R14	Carbon	.39 Meg	1/2
C4	Same as C3			R15	Carbon	3300	1/2
C5	Variable	Mica	2-40 mmf	R16	Carbon	47,000	2
C6	Same as C5			R17	Carbon	Same as R16	
C7	Ceramic		50 mmf	R18	Carbon	0.1 Meg	1/2
C8	Paper	400 V.	0.5 mmf	R19	Carbon	56,000	1/2
C9	Electrolytic	450 V.	4.0 mf	R20	Carbon	.22 Meg	1/2
C10	Paper	400 V.	.01 mf	R21	Carbon	2700	1/2
C11	Paper	800 V.	.008 mf	R22	Carbon	33,000	1/2
C12	Same as C11			R23	Carbon	5600	2
C13	Electrolytic	450 V.	15-15-15 mf	R24	Carbon	27,000	2
C14	Electrolytic	450 V.	8 mf	R25	Carbon	Same as R24	
C15	Paper	400 V.	0.1 mf	R26	Carbon	.47 Meg	1/2
C16	Same as C15			R27	Carbon	Same as R26	
C17	Same as C9			R28	Carbon	1500	1/2
C18	Paper	400 V.	.05 mf	R29	Carbon	Same as R28	
C19	Same as C18			R30	Carbon	27,000	1
C20	Same as C9			R31	Carbon	Same as R30	
C21	Electrolytic	50 V.	50 mf	R32	Carbon	Same as R19	
C22	Mica		240 mmf	R33	Carbon	Same as R19	
				R34	Carbon	Same as R14	
				R35	Wire Wound	Same as R14	
				R36	Wire Wound	300	4

RESISTOR	TYPE	OHMS	WATTS	MISCELLANEOUS	ITEM	RATING
R1	Carbon	68,000	1	L1	Lamp	115 V., 3 Watt
R2	Carbon	.49 Meg	1	Choke		10 h., 110 Ma.
R3	Carbon	6.9 Meg	1	T1	Line Transformer	390-0-390
R4	Carbon	Same as R3		T2	Audio Output Transformer	6.3 @ 3.3 amps
R5	Carbon	.62 Meg	1			500-15-8
R6	Variable	.1 Meg	1/2	S1	Rotary Switch	2 Circuit 3 Position
R7	Carbon	56,000	1	S2	Toggle Switch	2 Circuit 3 Position
R8	Variable	20,000	1/2	S3	Rotary Switch	2 Circuit 3 Position
R9	Wire Variable	2000	1			
R10	Carbon	2400	1/2			
R11	Carbon	47,000	1/2			