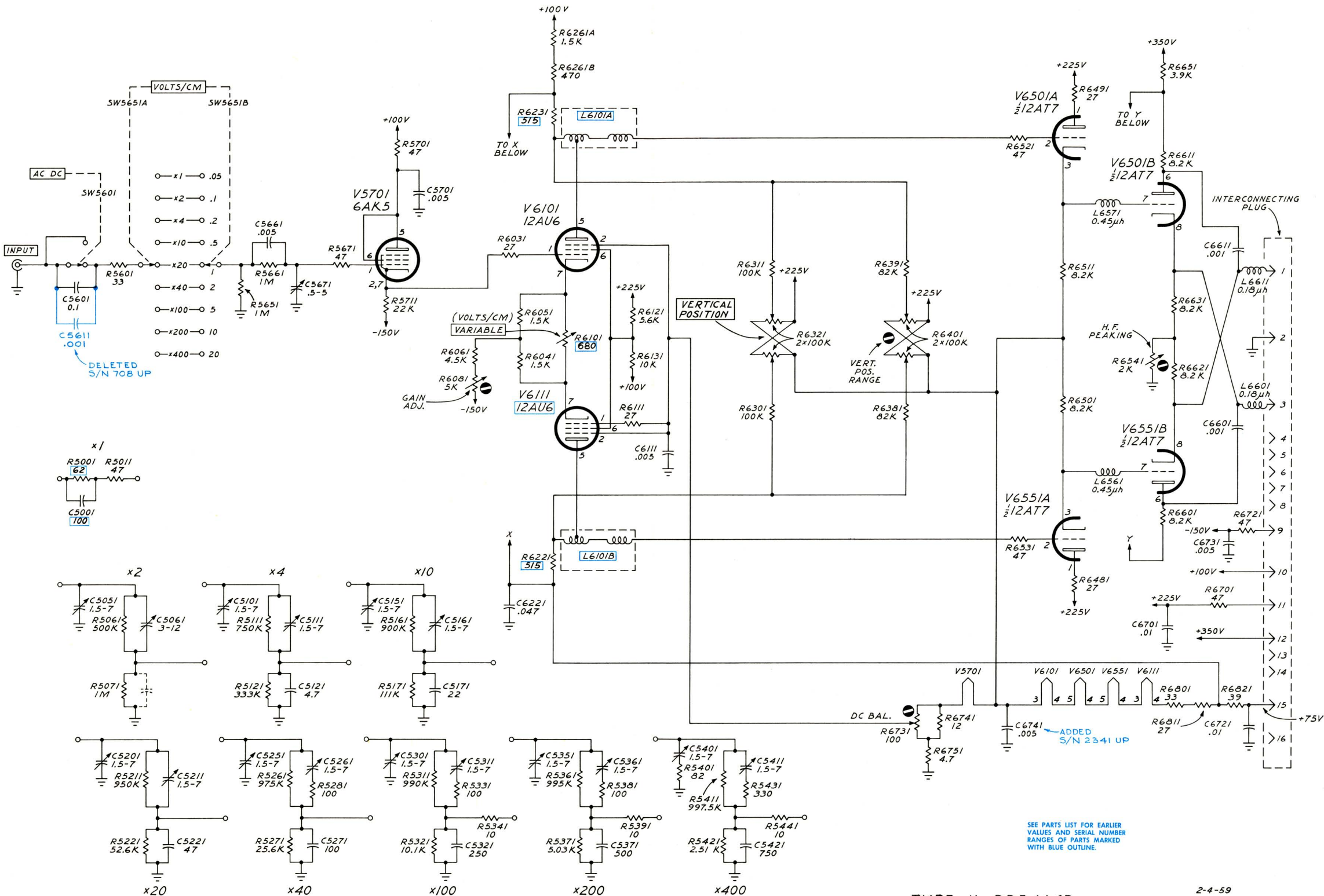


V570/  
INPUT C.F.

V611/  
V610/  
AMPLIFIERS

V655/  
V650/  
OUTPUT C.F.'s.



SEE PARTS LIST FOR EARLIER  
VALUES AND SERIAL NUMBER  
RANGES OF PARTS MARKED  
WITH BLUE OUTLINE.

TYPE K PREAMP  
S/N 353-UP

2-4-59  
KF

A B<sub>3</sub>